



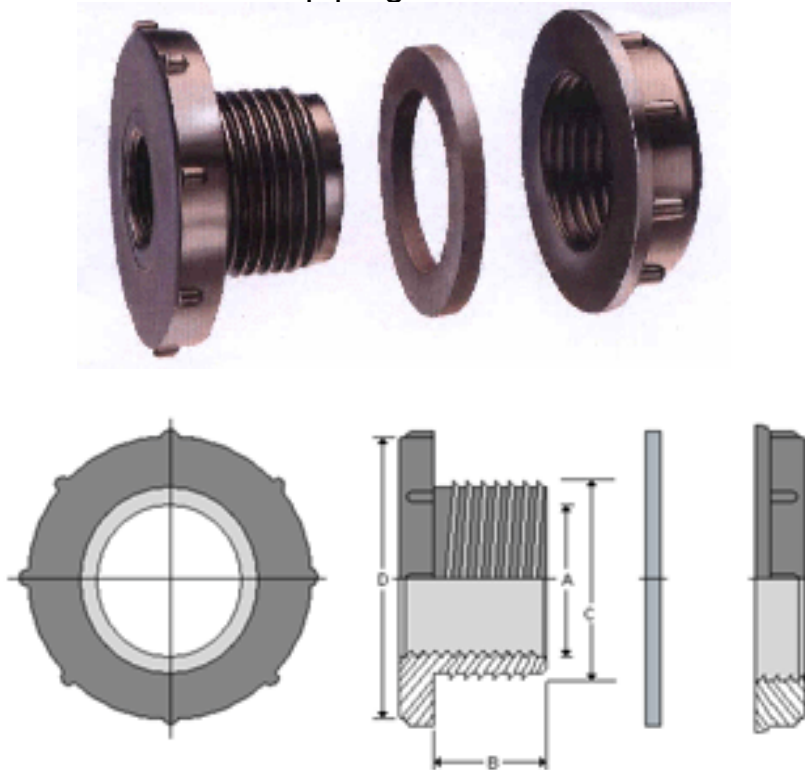
Industrial Specialties Mfg.

An ISO 9001:2008 Certified Company

4091 S. Eliot St., Englewood, CO 80110-4396 • 303-781-8486 FAX: 303-761-7939 • www.industrialspec.com

PPBHW Series

Bulkhead Fittings are used for all 'koi' water applications (plumbing tank, piping fixtures). They simplify the attachment of plumbing pieces and also help avoid stress and leaks with various water piping/tank fixtures.



PART #	A		B		C		D	
	Thread	mm	Inch	mm	Inch	mm	Inch	mm
PPBHW-8F	1/2" NPT	13	1 3/16	30	1 5/8	41	2 3/4	70
PPBHW-12F	3/4" NPT	19	1 3/16	30	1 5/8	41	2 3/4	70
PPBHW-16F	1" NPT	25	1 7/8	47	2 1/16	52	2 7/8	72
PPBHW-16F-HD	1" NPT	25	1 7/16	36	2 1/2	63	3 3/8	86
PPBHW-20F	1 1/4" NPT	32	1 7/16	36	2 1/2	63	3 3/8	86
PPBHW-24F	1 1/2" NPT	38	1 7/16	36	2 1/2	63	3 3/8	86
PPBHW-32F	2" NPT	51	1 5/8	41	3 1/8	79	4 1/4	108
PPBHW-48F	3" NPT	76	1 3/4	45	4 1/4	108	5 1/2	140
PPBHW-64F	4" NPT	101	4 3/16	106	5 1/2	140	7	178

Worldwide Suppliers of Miniature Fluid and Pneumatic Circuitry Components